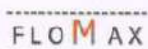
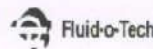


FEATURES

- ✓ FULLY AUTOMATIC SHRINK PACKAGING MACHINE INCLUDING SLEEVE SEALER AND SHRINK TUNNEL WHICH CAN FEED PRODUCTS, COLLATING, SEAL AND CUT FILM AND SHRINK FILM BAG AUTOMATICALLY. IT IS WIDELY USED IN FOOD, PHARMACEUTICAL, COSMETICS, PRINTING, HARDWARE, AND OTHER INDUSTRY.
- ✓ THIS MACHINE CAN COLLATE BOTTLES (ROUND OR SQUARE), CANS, GABLE CARTONS, AND TETRA CARTONS
- ✓ AUTOMATICALLY. IT CAN CONNECT FILLING MACHINE OR LABELLING MACHINE TO MAKE PRODUCTION LINE UNMANNED.
- ✓ BOTTLES CAN BE COLLATED FASTER BY A SPECIAL FASTER AND STABLE COLLATING DEVICE AND NEVER FALL DOWN.
- ✓ ADOPT DURABLE "U" SHAPE ALLOYED SEALING KNIFE AND SAW TEETH CUTTING KNIFE WITH ANTI-STICK
- ✓ TEFLON COATS SUPPORTED BY FOUR COLUMNS, THE SEALING LINE IS VERY STRONG AND CAN USE THICKER PE FILM FOR HEAVY PRODUCTS.
- ✓ ROWS CAN BE SET ON THE TOUCH SCREEN. WHEN PRODUCT SIZE CHANGES ONLY ADJUST PACKING SIZE ON THE MACHINE WITHIN A SHORT TIME WITHOUT CHANGING ANY MOLDS.
- ✓ ADOPT SIEMENS PLC AND COLORFUL TOUCH SCREEN, OMRON TEMPERATURE CONTROLLER, TIMER, RELAY,
- ✓ SWITCHES & SENSOR.
- ✓ OPTIONAL OUTPUT ROLLER TABLE OR CONVEYORS ARE AVAILABLE.
- ✓ OPTIONAL SAFETY COVER IS AVAILABLE.

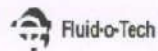
Authorized Channel Partner



Automatic Shrink Wrapping Machine



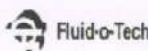
Authorized Channel Partner



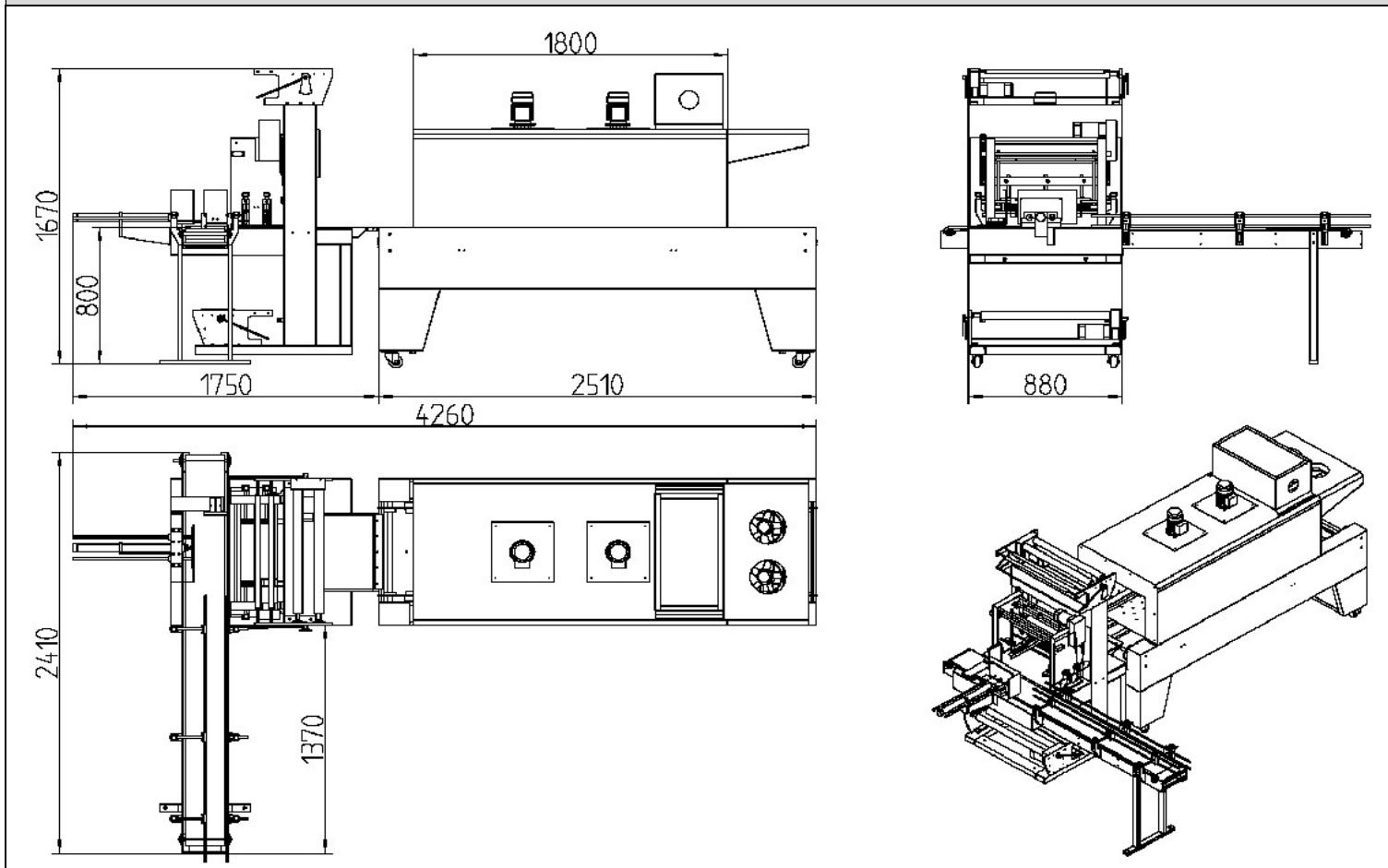
TECHNICAL SPECIFICATIONS OF FULLY AUTOMATIC SHRINK GROUPING MACHINE

Model	UWS (MS)
SEALING TYPE	SLEEVE SEALING
POWER SUPPLY	440V x 50-60 HZ x 3 PH
MAX PRODUCT SIZE	420(L) X 300(W) X 300(H) MM
MAX PACKING CAPACITY	10 PACKS PER MINUTE
FILM TYPE	POLYETHYLENE (PE) FILM
MAX FILM SIZE	600 (WIDTH) X 280MM(OUTER DIAMETER)
POWER CONSUMPTION	MAX. 21 KW
TUNNEL OVEN SIZE	1800MM(L) X 600(W) X 400(H) MM
TUNNEL CONVEYOR SPEED	VARIABLE, CONTROLLED BY FREQUENCY CONVERTER
TUNNEL CONVEYOR	CHAINS WITH SILICON COATED RODS OR STEEL MESH CONVEYOR
WORKING HEIGHT	850-900 MM
AIR PRESSURE	5 BAR
SEALING KNIFE	DURABLE "U" SHAPE ALLOYED SEALING KNIFE AND SAW TEETH CUTTING KNIFE WITH ANTI-STICK TEFLON COATS
OPERATION PANEL	SIEMENS COLORFUL TOUCH SCREEN, OMRON TEMPERATURE CONTROLLER
MACHINE MATERIAL	CARBON STEEL
MACHINE WEIGHT	1050 KG
MACHINE DIMENSIONS	4260 X 2400 X 1670 MM
Note: The above power details are connected load. Usage / Running load will be 50%-60% only.	

Authorized Channel Partner



LAYOUT



MAIN MACHINE PARTS LIST

SR. NO.	DECRPTION	MANUFACTURER	QUANTITY
1	COLORFUL TOUCH SCREEN	SIEMENS GERMANY	1
2	PLC	SIEMENS GERMANY	1
3	TEMPERATURE CONTROLLER	OMRON JAPAN	3
4	FIBER AMPLIFIER	AUTONICS KOREA	2
5	FIBER	AUTONICS KOREA	2
6	RELAY	OMRON JAPAN	4
7	SENSITIVE SWITCH	OMRON JAPAN	2
8	PNEUMATIC CYLINDER	JANATICS	5
9	SOLENOID VALVE	JANATICS	5
10	AIR COMBINATION VALVE	JANATICS	1
11	SWITCH POWER	OMRON JAPAN	1
12	FILM MOTOR	ROTOMOTIVE	2
14	CONVEYOR MOTOR	ROTOMOTIVE	3

Authorized Channel Partner

