

SHIMGE®

Horizontal Pumps :



Operation Conditions :

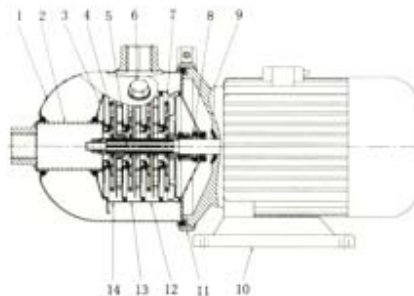
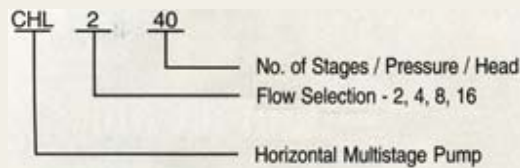
- Thin, clean, non-flammable and non-explosive liquid containing no solid granules and fibers.
- Liquid Temperature : Normal Temperature type : $-15^{\circ}\text{C} \sim +70^{\circ}\text{C}$ Hot Water Type : $+70^{\circ}\text{C} \sim +110^{\circ}\text{C}$
- Highest Ambient Temperature : Upto $+40^{\circ}\text{C}$
- Max. Operation Pressure : 10 bar
- Max. Inlet Pressure is limited by max.operation pressure.

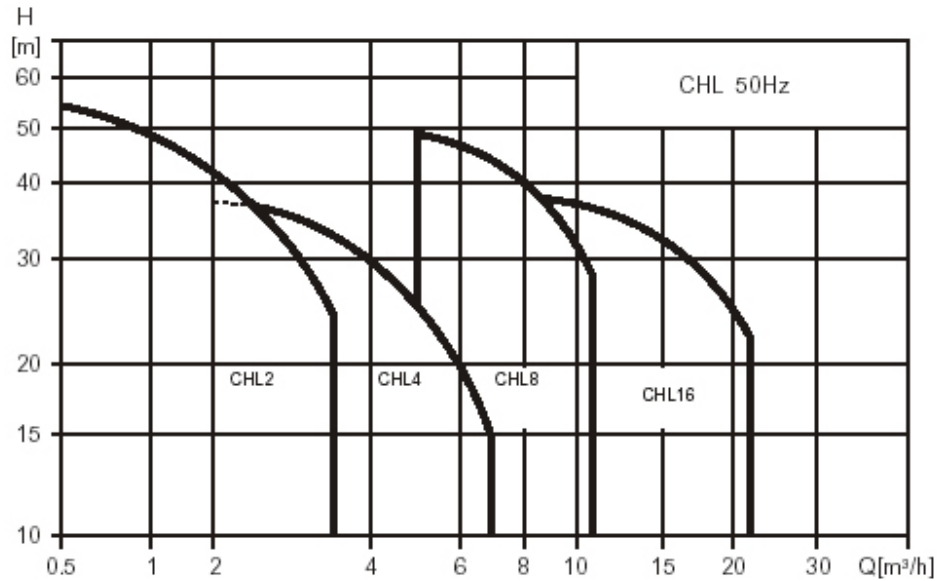
Application Medium :

- Thin and clean non-flammable and non-explosive liquid without solid granules and fibers.
- Mineral water, soft water, pure water, edible vegetable oil and other light chemical mediums.
- By selecting high power driving motor, liquids with higher density or viscosity than water can be transferred

Features :

- Horizontal multi-stage non self priming centrifugal pump, attached with extended shaft electric motor.
- Compact structure renders small size of pump.
- Axial inlet and radial outlet.
- Stainless Steel Body.





Material :

No	Name	Material	CDL
1	Inlet & Outlet Section	Stainless Steel	AISI304
2	Connection Pipe	Stainless Steel	AISI304
3	Clamp Plate	Stainless Steel	AISI304
4	Impeller	Stainless Steel	AISI304
5	Shaft	Stainless Steel	AISI304
6	Gag	Stainless Steel	AISI304
7	Water-out Guide Vane	Stainless Steel	AISI304
8	Mechanical Seal	Tungsten Carbide v/s Silicon Carbide	
9	Motor End Cover	Aluminium Alloy	
10	Base Frame	Cast Iron	ASTM25B
11	Quick Joint	Stainless Steel	AISI304
12	Guide Vane	Stainless Steel	AISI304
13	Support Guide Vane	Stainless Steel	AISI304
14	Inducer	Stainless Steel	AISI304

Applications :

- Air-conditioning Systems
- Cooling Systems
- Industrial Cleaning
- Water treatment
- Agriculture
- Environmental application

SHIMGE®

Vertical Pumps :

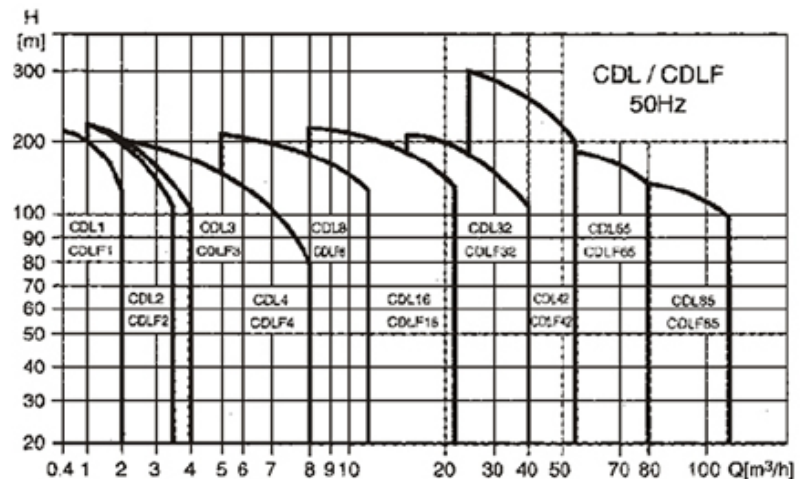
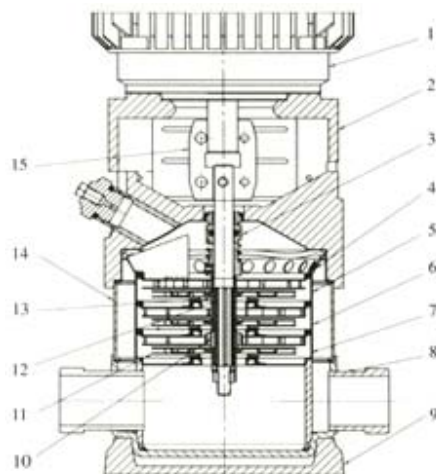
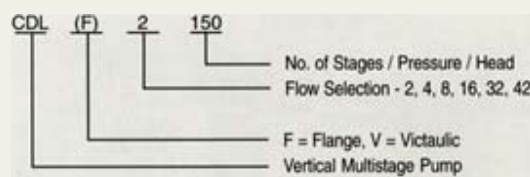


Operation Conditions :

- Thin, clean, non-flammable and non-explosive liquid containing no solid granules and fibers.
- Liquid Temperature : Normal Temperature type : -15°C ~+70°C Hot Water Type : +70°C ~+120°C
- Highest Ambient Temperature : Upto +40°C
- Altitude : Upto 1000m

Features :

- Improved efficiency of the pump, because of special design which reduces internal losses.
- Separate base plate enables special corrosion resistance treatments. Entire housing made of stainless steel.
- Shaft bearing through combination of tungsten carbide being on shaft and ceramic bearing in diffuser
- Made of stainless steel for maximum resistance against corrosion caused by environmental influences.
- Spring loaded DIN seal with bellow construction and fit to purpose material combinations long life time. For models with heavy duty motors a cartridge version is provided, which enables seal-exchange without removing the motor.
- Sleeve construction ensures total compensation of thermal expansion. Special shape o-ring grooves for optimal sealing. All wetted parts in Stainless Steel.
- Construction with minimized number of parts enables easy assembly and disassembly.



Material :

No	Name	Material	CDL
1	Electric Motor		
2	Pump Head	Cast Iron	ASTM25B
3	Mechanical Seal	Tungsten Carbide v/s Silicon Carbide	AISI304
4	Water-out Guide Vane	Stainless Steel	AISI304
5	Support Guide Vane	Stainless Steel	AISI304
6	Guide Vane	Stainless Steel	AISI304
7	Inducer	Stainless Steel	AISI304
8	Pump Connection CDL (F) (S)	Round Flange	304
9	Base Frame	Cast Iron	ASTM25B
10	Bearing	Tungsten Carbide	
11	Impeller	Stainless Steel	AISI304
12	Shaft	Stainless Steel	AISI304
13	Impeller Separating Sleeve	Stainless Steel	AISI304
14	Pressure-resistant Cylinder	Stainless Steel	AISI304
15	Coupling	Carbon Steel	
16	Rubber Parts	FPM	
17	CDL (V) (S)	Victaulic Connection	

Applications :

- Air-conditioning Systems
- Cooling Systems
- Industrial Cleaning
- Water treatment
- Agriculture
- Environmental application